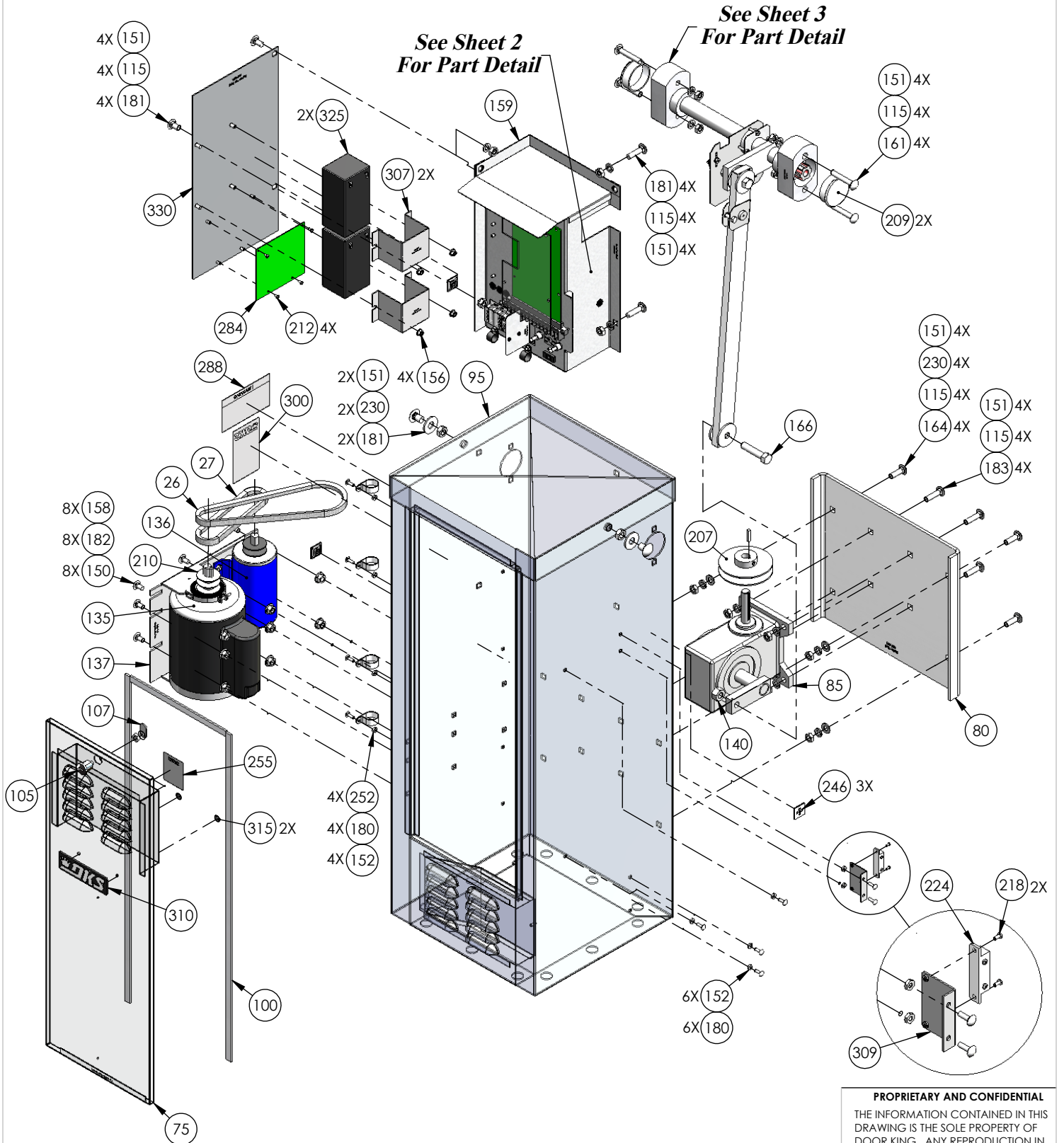


REVISIONS

REV	DESCRIPTION	DATE	APPR
V	Item 249 Was: 2340-165; Added 2340-166.	Sal 11/18/08	D.C. 11/18/08



**PROPRIETARY AND CONFIDENTIAL**  
 THE INFORMATION CONTAINED IN THIS DRAWING IS THE SOLE PROPERTY OF DOOR KING. ANY REPRODUCTION IN PART OR AS A WHOLE WITHOUT THE WRITTEN PERMISSION OF DOOR KING IS PROHIBITED.

3 Decal Switch (Item 287) to be divided & placed adjacent to Toggle Switches (Item 223).

2. Items 248-251, 253, 290, 345 Not Shown for Clarity.

1. See attached reference sheet for BOM; Reference Movex 1601-081 Rev V.

Notes: Unless Otherwise Specified.

	NAME	DATE
DRAWN	Sal	09/26/06
CHECKED		
COMMENTS:		

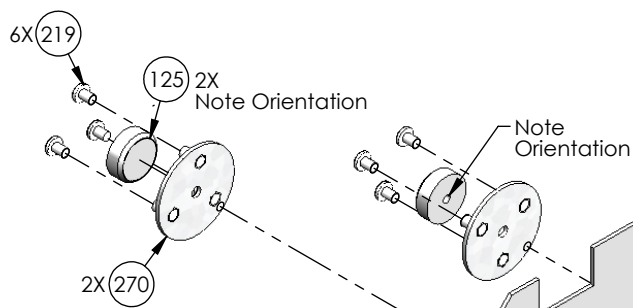
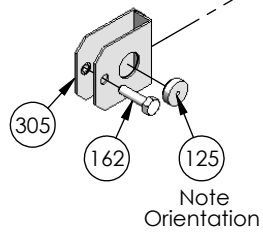
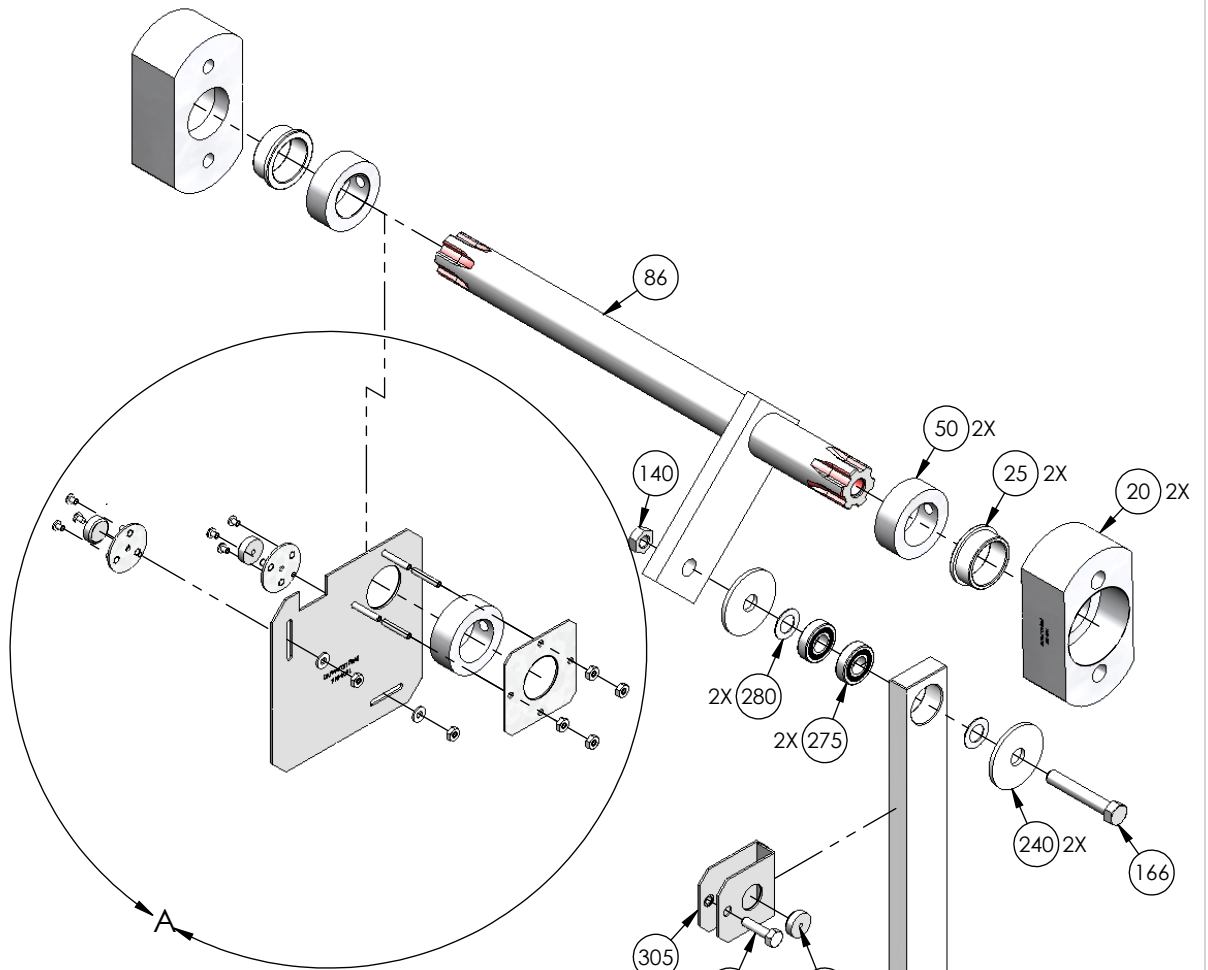
**DKS**

**IPB-Model 1601-081, 115V Parking Gate Operator, Convenient Open**

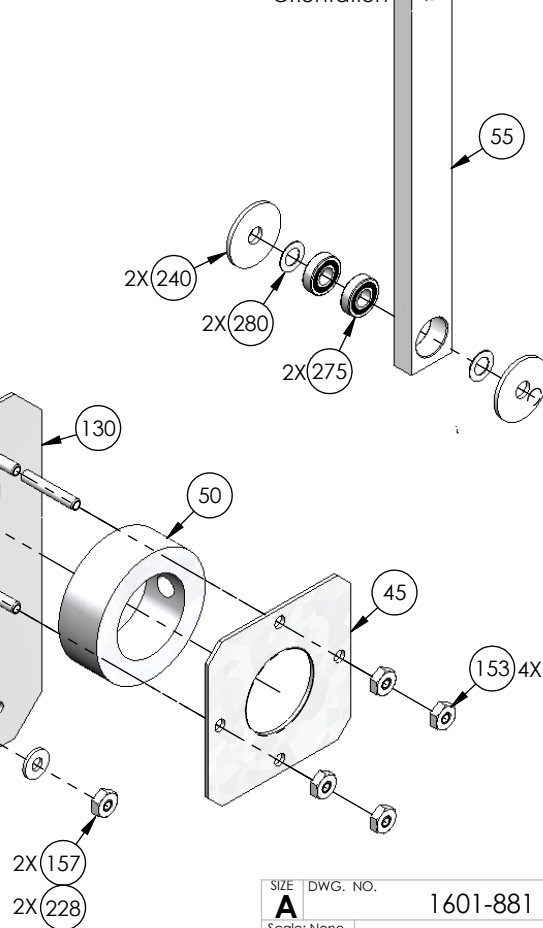
SIZE DWG. NO. **A 1601-881** REV **V**

Scale: None SHEET 1 OF 5





DETAIL A  
SCALE 2 : 5



IPB 1601-881 Rev V  
 (Model and Movex No. 1601-081 Rev V)

Item	Part Number	QTY	UM	Description	List
1	1601-881	1	EA	1601-081 115V Parking Gate Operator, Battery Backup V	1.00
20	1601-139	2	EA	Bearing Blk Die Cast 1601	18.00
25	1601-032	2	EA	Bearing 1 1/2 OD x1 1/4 ID x 5/8 L	11.52
26	2600-688	1	EA	Belt - 17" 4L170 Cogged	16.40
27	1601-026	1	EA	Belt 26"	15.52
45	1601-017	1	EA	Collar "Sandwich" Plate	8.24
50	2600-061	3	EA	Collar 2 OD x 1 1/4 ID x 5/8 L	10.24
55	1601-029	1	EA	Connecting Link	33.28
75	1601-075	1	EA	Door	53.60
80	1601-215	1	EA	Mount Plate Gearbox A	126.00
85	1601-027	1	EA	Gearbox 1601 HD A	798.42
86	1601-222	1	EA	Shaft Assembly 1601 Splined	73.50
90	1601-055	1	EA	Divider - High/Low Voltage	8.56
95	1601-100	1	EA	Housing Barrier Arm	573.66
100	4001-018	6	FT	Weather Stripping 50' rolls	.80
105	4001-035	1	EA	Lock N16058BDxSFx2K Key 16120	16.80
107	1702-503	1	EA	Cam 1.1/4	2.00
115	2620-047	16	EA	Lockwasher 3/8	.08
125	2600-817	3	EA	Magnet	1.20
130	1601-016	1	EA	Mount Plate Magnet	18.00
135	1601-155	1	EA	Motor 1/2 HP Dual Pulley Assy	336.00
136	2600-197	1	EA	Motor 24VDC For BB	252.00
137	1601-144	1	EA	Bracket-Motor Mount Leeson	58.00
140	2620-440	2	EA	Nut Hex 1/2-13 GR8	.30
150	2620-411	8	EA	Nut Hex Flange Lock 5/16-18	.16
151	2620-405	18	EA	Nut Hex 3/8-16	.16
152	2902-006	10	EA	Nut Nylon Lock 10-32	.08
153	2902-004	9	EA	Nut Nylon Lock 8-32	.08
156	2620-409	4	EA	Nut Hex Flange Lock 1/4-20	.40
157	2620-401	2	EA	Nut Hex 8-32	.10
158	2620-340	8	EA	Nut Center Lock 1/4-20	.20
159	1601-152	1	EA	Mount Plate - PC Board Top	18.00
160	1601-150	1	EA	Mount Plate - PC Board Bottom	42.00
161	2615-673	4	EA	Bolt Carr SS 3/8-16 x 2 1/4 Painted	2.00
162	2615-005	1	EA	Bolt Hex Head 1/4-20 x 1	2.32
164	2615-669	4	EA	Bolt Carriage SS 3/8-16 x 1 1/4	.50
166	2615-184	2	EA	Bolt Hex Head 1/2-13 x 2 1/4 GR8	1.32
180	2615-645	10	EA	Bolt Carr SS 10-32 x 5/8 Painted	1.20
181	2615-667	6	EA	BoltCarr SS 3/8-16 x 3/4 Painted	.50
182	2615-662	8	EA	BoltCarr SS 5/16-18 x 5/8 Painted	.60
183	2615-674	4	EA	Bolt Carriage SS 3/8-16 x1 3/4	2.00
200	2600-820	5	EA	Bushing 1/2	1.12
207	1601-018	1	EA	Pulley 4" Odx 5/8 Bore	15.20
209	2600-882	2	EA	Hole Plug Plastic 2.25" Hole	2.16
210	2616-094	1	EA	Set Screw 5/16-18 x 1/4 Zinc Pt	.90
212	2616-000	4	EA	Screw Phillips Head 6-32 x 1/4	.16
218	2616-001	2	EA	Screw Phillips Head 6-32 x 3/8	.16

219	2616-006	6	EA	Screw Phillips Head 6-32 x 3/16	.06
220	2616-003	4	EA	Screw Phillips Head 6-32 x 3/4	.16
221	2616-002	1	EA	Screw Phillips Head 6-32 x 1/2	.16
222	1601-041	2	EA	Switch Toggle SPST 2POS	10.00
223	1601-040	1	EA	Switch Toggle ON-OFF-ON MOMEN	29.28
224	1601-253	1	EA	Switch Magnetic Sensor	27.12
225	1601-007	1	EA	Terminal 14 Pin	35.44
226	2600-414	1	EA	Terminal Block-2 Position	3.52
227	2600-410	1	EA	Marker Strip Silkscn Both Side	3.20
228	2802-003	2	EA	Washer #8 SAE	.16
230	2620-029	6	EA	Washer 3/8 USS	.16
240	2620-131	4	EA	Washer 1 7/8 OD x 1/2 ID x 1/8 T	1.50
245	2600-619	2	EA	Wire Clp-5/8 Concord 770-1209	.24
246	1804-029	3	EA	Mount Wire Tie	2.48
248	2340-166	1	EA	Wire Set BB 1601	4.00
249	2340-164	1	EA	Wire Set BB 6100,6300,9150	12.00
250	1601-008	1	EA	Wire Set 1601/1602	16.32
251	1804-031	9	EA	Tie Wrap 4"	.08
252	2600-639	4	EA	Wire Clamp-1"	.32
253	2600-749	2	EA	Wire Connector STA-KON RC6	.82
254	1200-028	2	EA	Outlet Snap-In Leviton 1306	2.00
255	2599-008	1	EA	Label Patent	2.24
260	2600-439	1	EA	Washer Cup - Brass	.40
265	2599-006	1	EA	Decal SUPPLY GND	.72
270	1601-044	2	EA	Holder - Magnet	5.52
275	1601-060	4	EA	Bearing-Sealed 1/2 ID x 1 1/8 OD	12.32
280	1601-185	4	EA	Washer Race .515 ID x .875 OD CH	2.00
284	2340-010	1	EA	PCB Battery Backup	220.00
285	1601-010	1	EA	PCB Parking Gate	530.00
287	2599-012	1	EA	Decal 1601 Switch	.72
288	2599-035	1	EA	Label 1601 Warning	2.08
290	2560-010	1	EA	Information Packet 1601	5.60
295	2599-014	1	EA	Decal Copper Wire Only	.72
300	2599-199	1	EA	Label Universal	2.00
305	1601-250	1	EA	Bracket Magnet Holder 1601 Bat	16.00
307	2600-676	2	EA	Battery Tray 1601	17.00
309	1601-252	1	EA	Bracket Sensor 1601 Batt Back	6.40
310	2600-732	1	EA	Nameplate Plastic DKS	4.00
311	1897-052	2	EA	Gasket, Microphone Support	.72
315	2802-040	2	EA	Washer Push on Clamp	.40
320	3129-002	1	EA	Terminal Block Cover 2 Positio	9.36
325	1801-009	2	EA	Battery 12V 3.0 AmpHour PS1230	76.00
330	1601-245	1	EA	Mount Plate 1601 Batt Backup	34.00
345	2340-065	1	EA	Manual	4.00